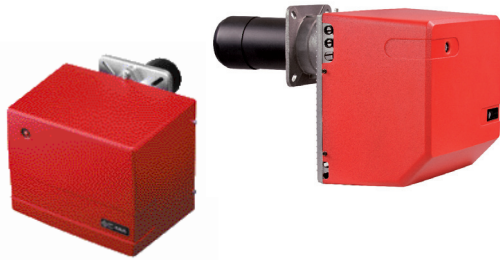




LIGHT OIL BURNERS

1 stage from 83 up to 355 kW



Burners for diesel, single stage, aluminium frame, protection cover with noise reduction plate, combustion head with micro adjustment at high efficiency and high flame stability. Compact overall dimensions and disposition rationalized of the components with accessibility facilitated for the operations of setting and maintenance.

In the versions H hydraulic device of closing air shutter. In the versions R preheater with control of temperature for soft and secure ignitions also at low temperatures.

Complete of connector 7 poles, flange and gasket for installation on boiler, nozzle, flexible pipes, line filter.

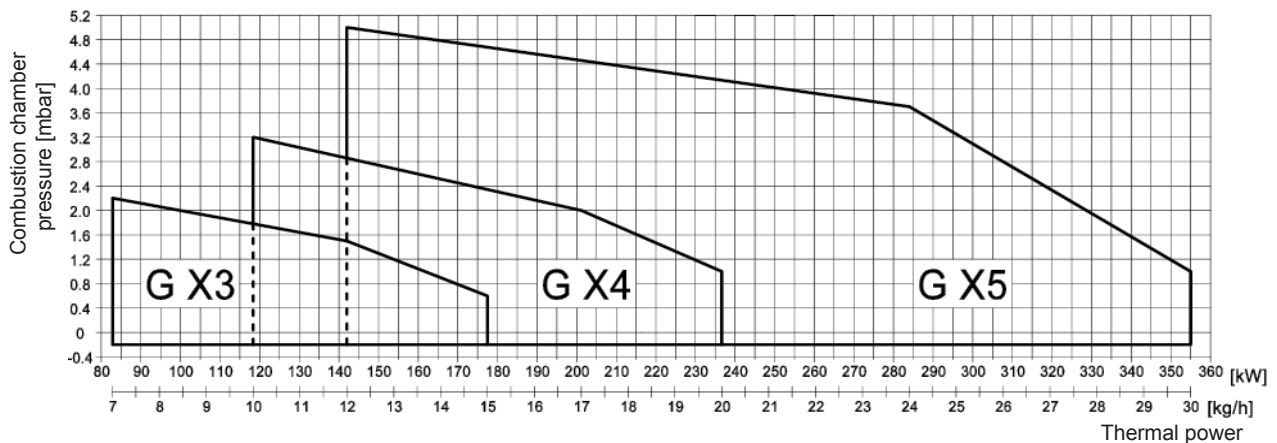
TECHNICAL DATA

MODEL		G X3H G X3S	G X4H G X4S	G X5H G X5S
Delivery*	kg/h	7-15	12-20	12-30
Thermal power (min-Max)*	Mcal/h	71-153	102-204	122-306
Thermal power (min-Max)*	kW	83-178	118-236	142-355
Nominal electric power	W	220	250	600
Fan motor power	W	150	200	450
Power absorbed	A	1	1.1	2.7
Electrical supply	mono-phase 230V (-15% +10%) - 50Hz			
Fuel	LIGHT OIL 1.5°E a 20°C = 6.2 Cst = 35 sec Redwood N°1			
Burner weight	kg	14	14	25

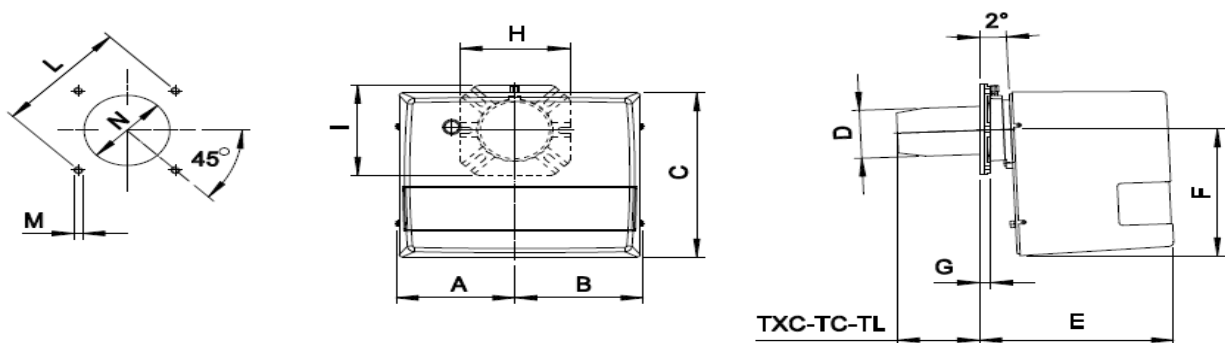
_Degree of electric protection: IP40 _Maximum combustive air temperature: 60°C _Intermittent operation (min. 1 stop every 24 hours) at one stage _Allowed environment conditions on running/stock: -15...+40°C / -20...+70°C, relative umidity max. 80%

* Reference conditions: Room temperature 20°C _Atmospheric pressure 1013 mbars _Altitude 0 (sea level)

FIRING RATES: Thermal power - Pressure in combustion chamber



DIMENSIONS (mm)



* Suggested dimension of connection between burner and generator

MODELLO	A	B	C	ØD	E	F	G	H	I	min	L	max	M	min	N	max	TC	TL
G X3...	182	192	318	110	306	248	17	200	200	160	170	226	M10	120	130	140	130	250
G X4...	182	192	318	124	306	248	17	200	200	170	205	226	M10	130	140	160	130	250
G X5...	210	218	400	130	461	310	18	200	200	205	220	226	M10	140	150	180	215	335