



LIGHT OIL BURNER SERIE FGP

2 stages from 237 up to 1740 kW



Burners for diesel two stages, fan at high pressurisation, combustion head with adjustment at high efficiency and high flame stability, hydraulic system of regulation combusive air on the two stages of flame.

Compact overall dimensions and disposition rationalized of the components with accessibility facilitated for the operations of setting and maintenance.

Complete of flange and gasket for installation on boiler, nozzles, flexible pipes, line filter.

TECHNICAL DATA

MODELLO		FGP 50/2	FGP 70/2	FGP 100/2	FGP 120/2	FGP 150/2
Flow min-max*	kg/h	10.5/20-50	18/35-70	20.5/40-100	29/60-120	38.5/75-150
Thermal power min-max*	Mcal/h	107/204-510	180/350-700	205/400-1000	290/600-1200	385/750-1500
Thermal power min-max*	kW	124/237-592	209/406-812	238/464-1160	336.5/696-1392	446.5/870-1740
Fuel	LIGHT OIL 1.5°E a 20°C = 6.2 cSt = 35 sec Redwood N°1					
Intermitted working operation (min. 1 stop every 24 hours) 2 stages						
Environmental conditions operation/storage	-15...+40°C/-20...+70°C, rel. humidity max 80%					
Max temperature combustion air	°C	60	60	60	60	60
Motor fan	kW	0.7	1.1	2.2	3	4
Nominal absorption	A	1.9	0.7	1	1.1	2.7
Power supply	3- 400V-1/N ~ 230V- 50Hz					
Degree of electric protection		IP44	IP44	IP40	IP44	IP44
Weight burner**	kg	31	49	63	82	86

* Reference conditions: Environment temperature 20°C - Barometric pressure 1013 mbars - Altitude 0 mt (sea level).

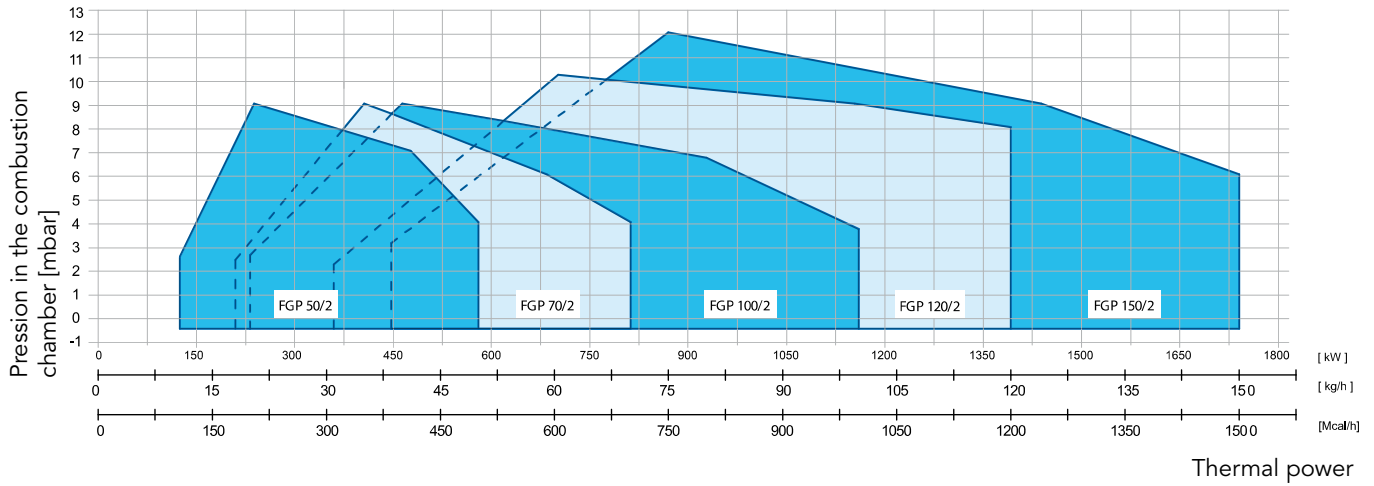
** For burner with long head add 3 kg weight



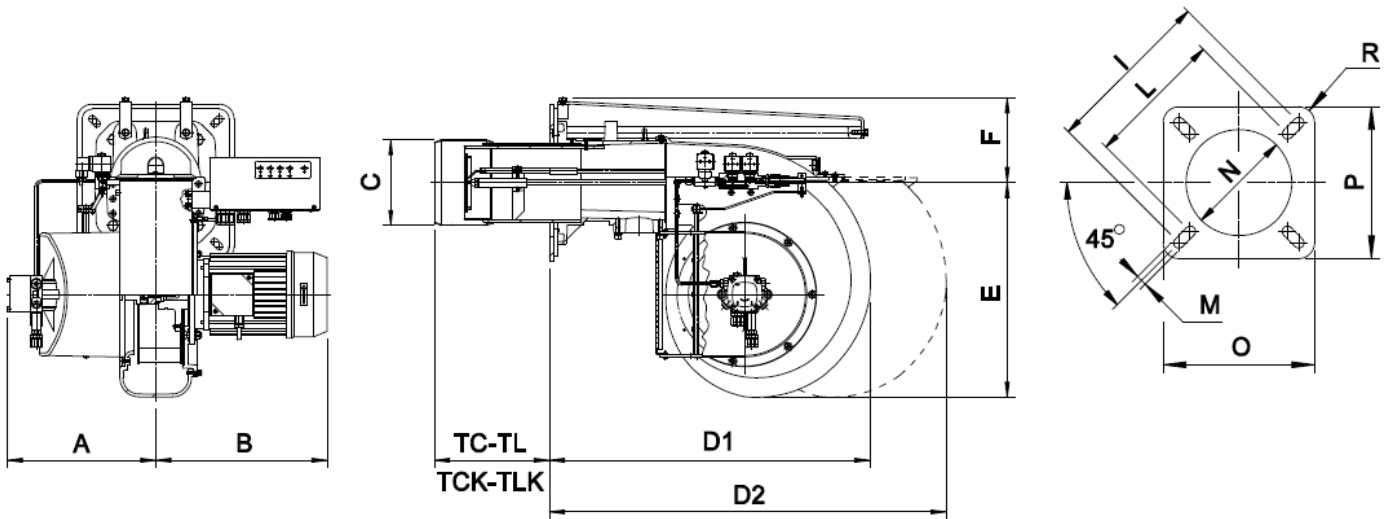
LIGHT OIL BURNER SERIE FGP

2 stages from 237 up to 1740 kW

FIRING RATES: Thermal power - Pressure in combustion chamber



DIMENSIONS (mm)



MODEL	A	B	C	D1	D2	E	F	TC	TCK	TLK	TL	I	L	M	N	O	P	R
FGP 50/2	188	324	150	493	-	327	100	250	-	-	335	226	205	M10	160	220	220	R30
FGP 70/2	250	310	165	660	1060	327	171	170	250	-	335	368	340	M12	180	320	320	R20
FGP 100/2	300	350	175	670	1170	438	173	200	235	370	435	368	340	M12	190	320	320	R20
FGP 120/2	350	380	212	820	1400	438	213	200	-	-	400	368	340	M14	230	320	320	R30
FGP 150/2	350	380	212	820	1400	438	213	200	-	-	400	368	340	M14	230	320	320	R30

The illustrations and data here shown are indicative. F.B.R. Bruciatori S.r.l. reserves the right to bring, without any obligation of warning, any changes that would be appropriate to the continuing development of their products.